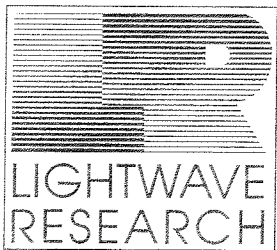
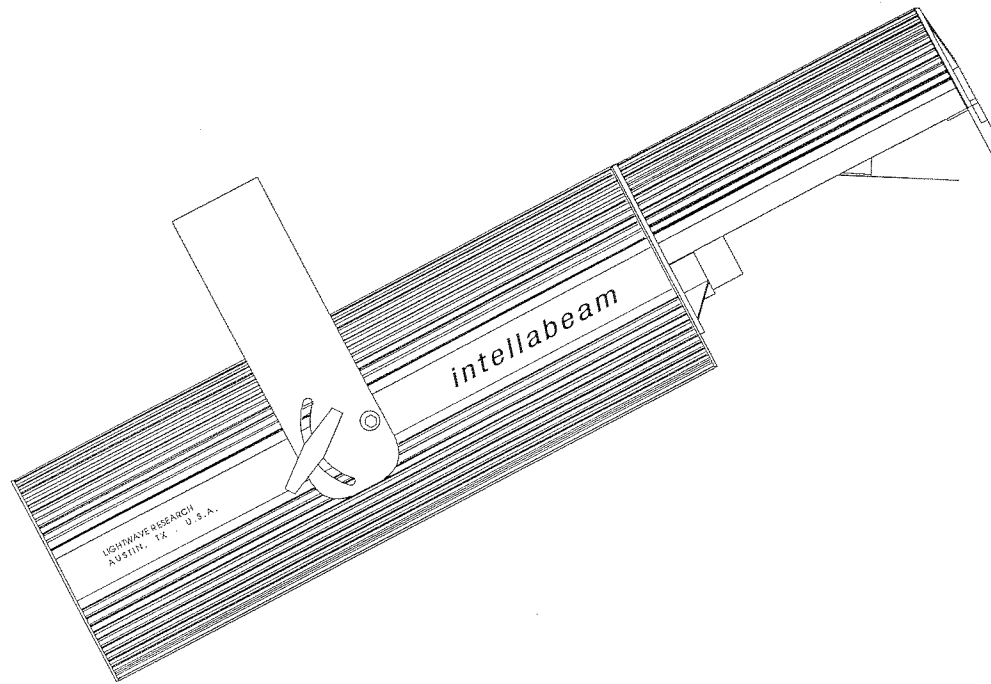


# *intellabeam<sup>®</sup> 400 Fixture*



2209 West Braker Lane  
Austin, Texas U.S.A.

*Schematic  
Drawings*

# *intellabeam 400*

## *Fixture*

### *Schematic Drawings*

*Revision 1.0*

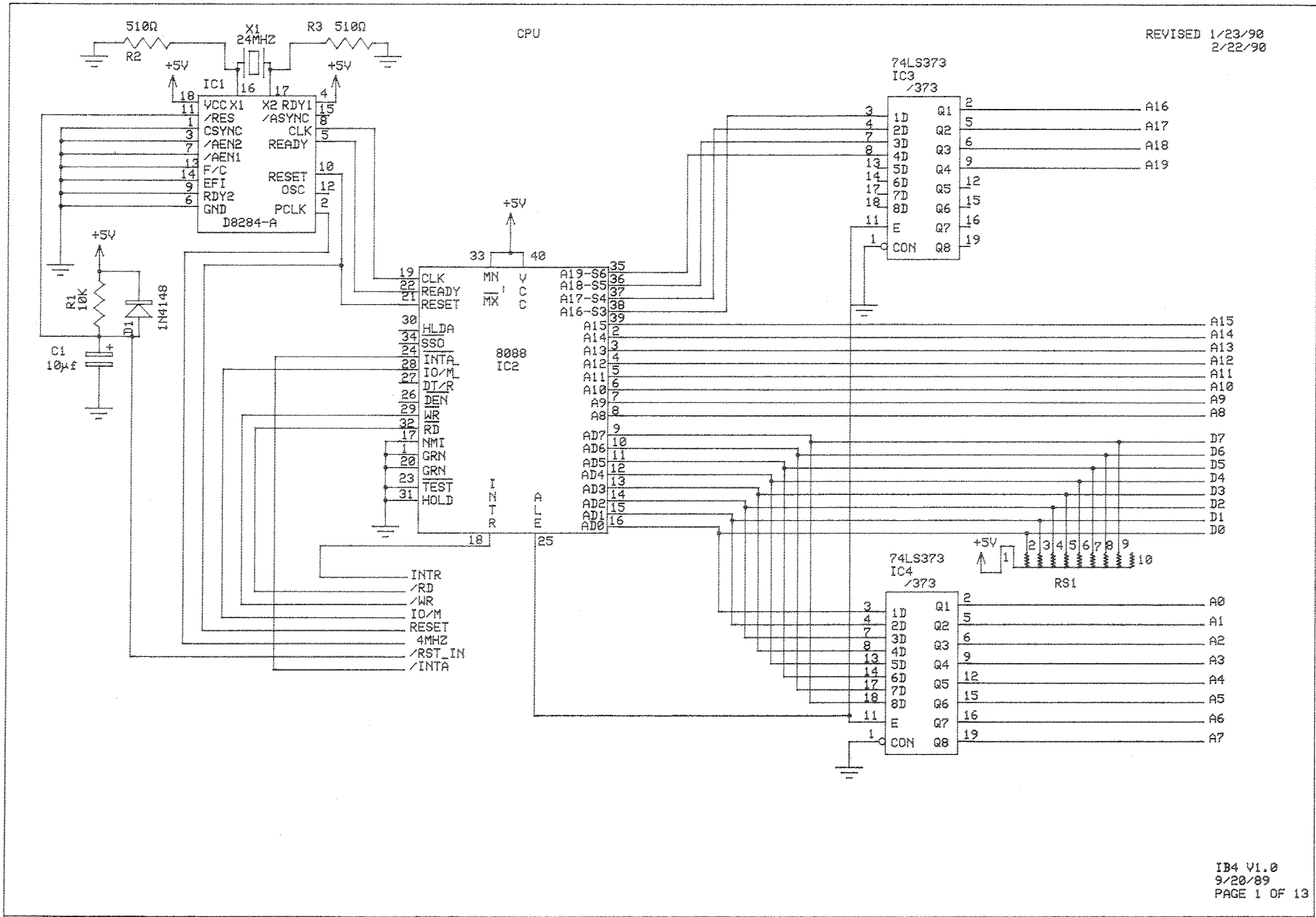
#### List of Schematic

- IB4 – Motor Driver Board (Rev 1.0) . . . . . Pages 1 through 13
- IB3 – Communications Board (Rev. 1.0) . . . . Pages 14 through 22
- IB1 – Power Supply Board (Rev. 1.1) . . . . . Pages 23 through 26

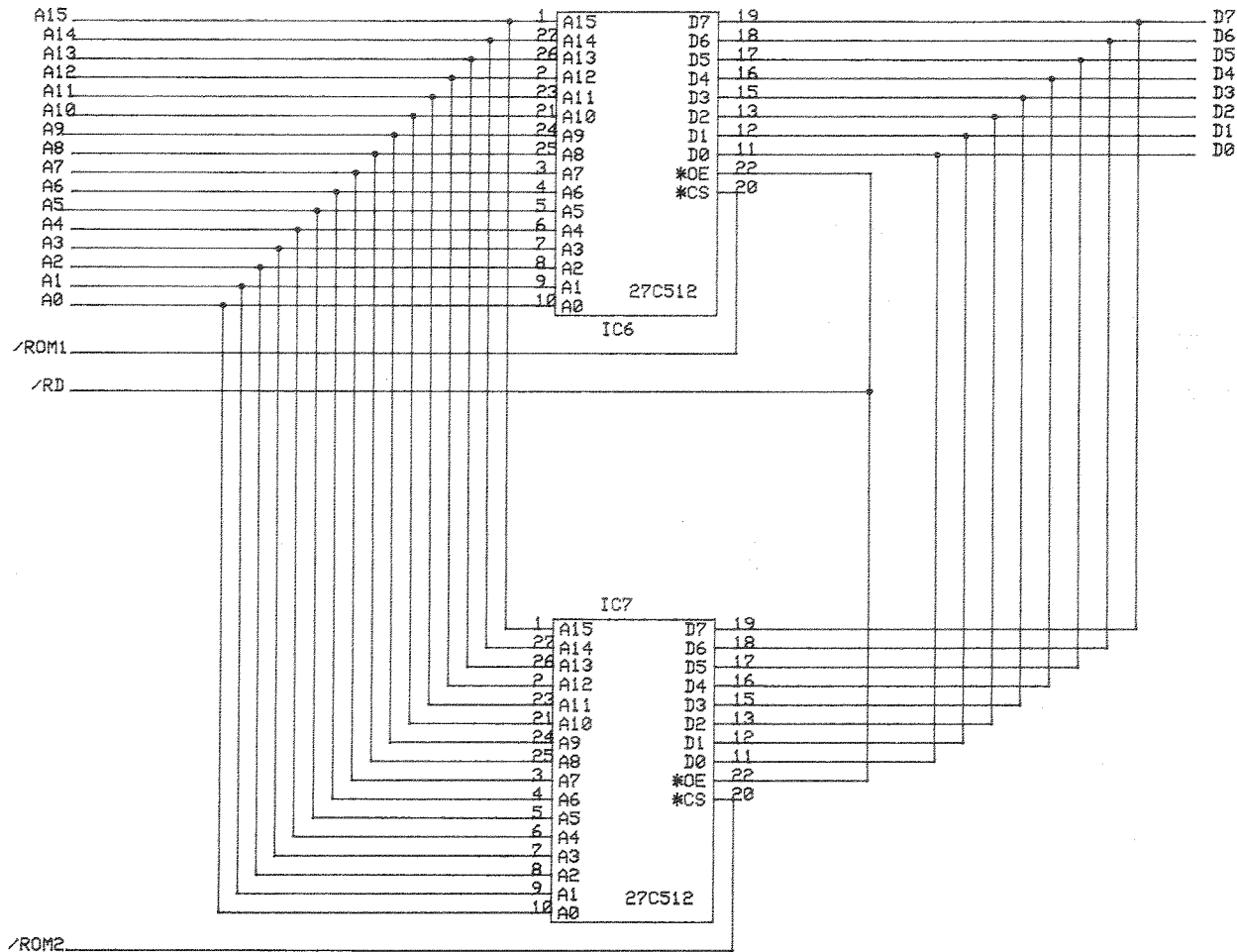
P/N 00000059

© Lightwave Research, Inc. 1993, All Rights Reserved

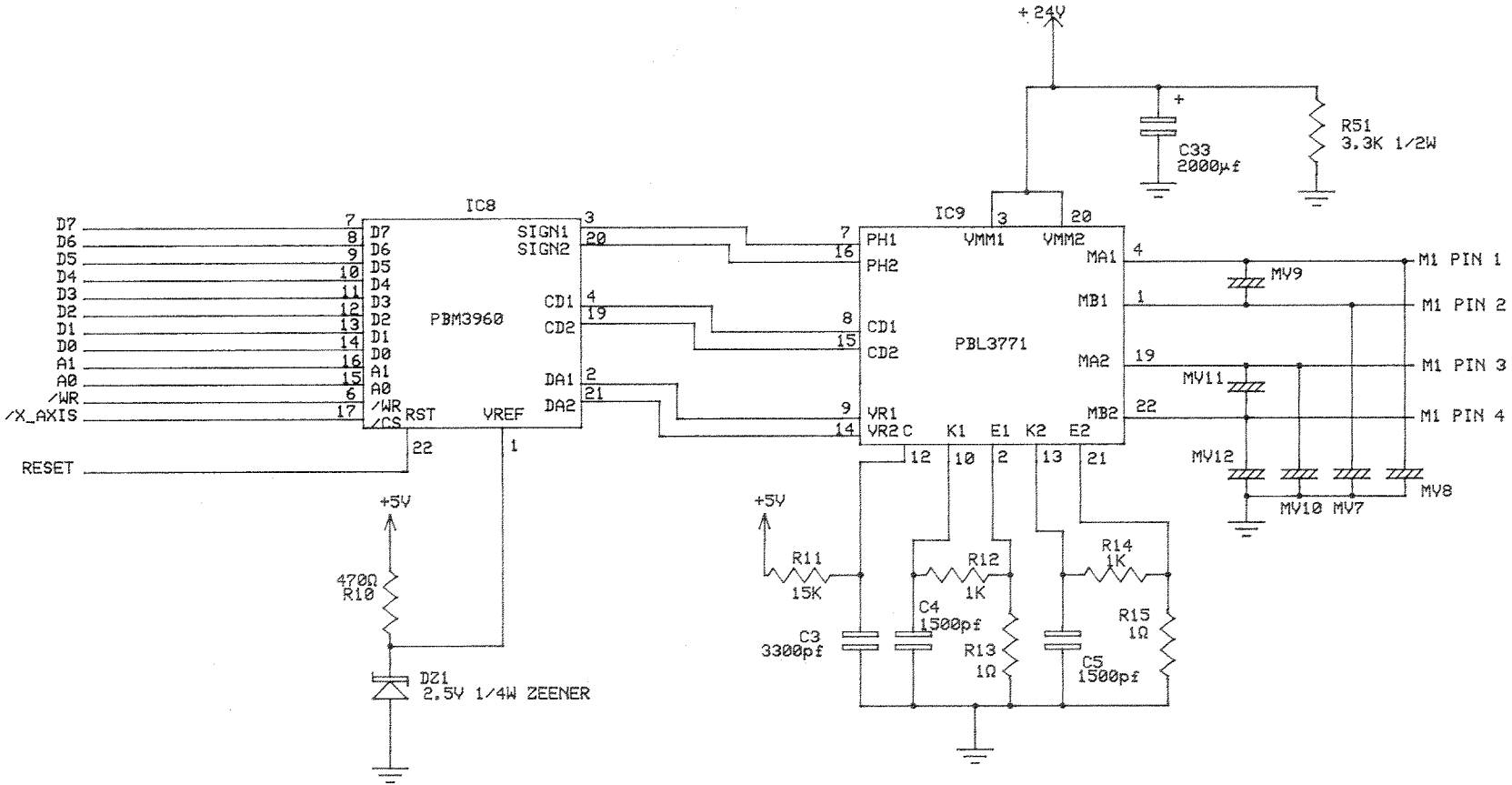
Lightwave Research, Inc.  
2209 West Braker Lane  
Austin, Texas U.S.A.



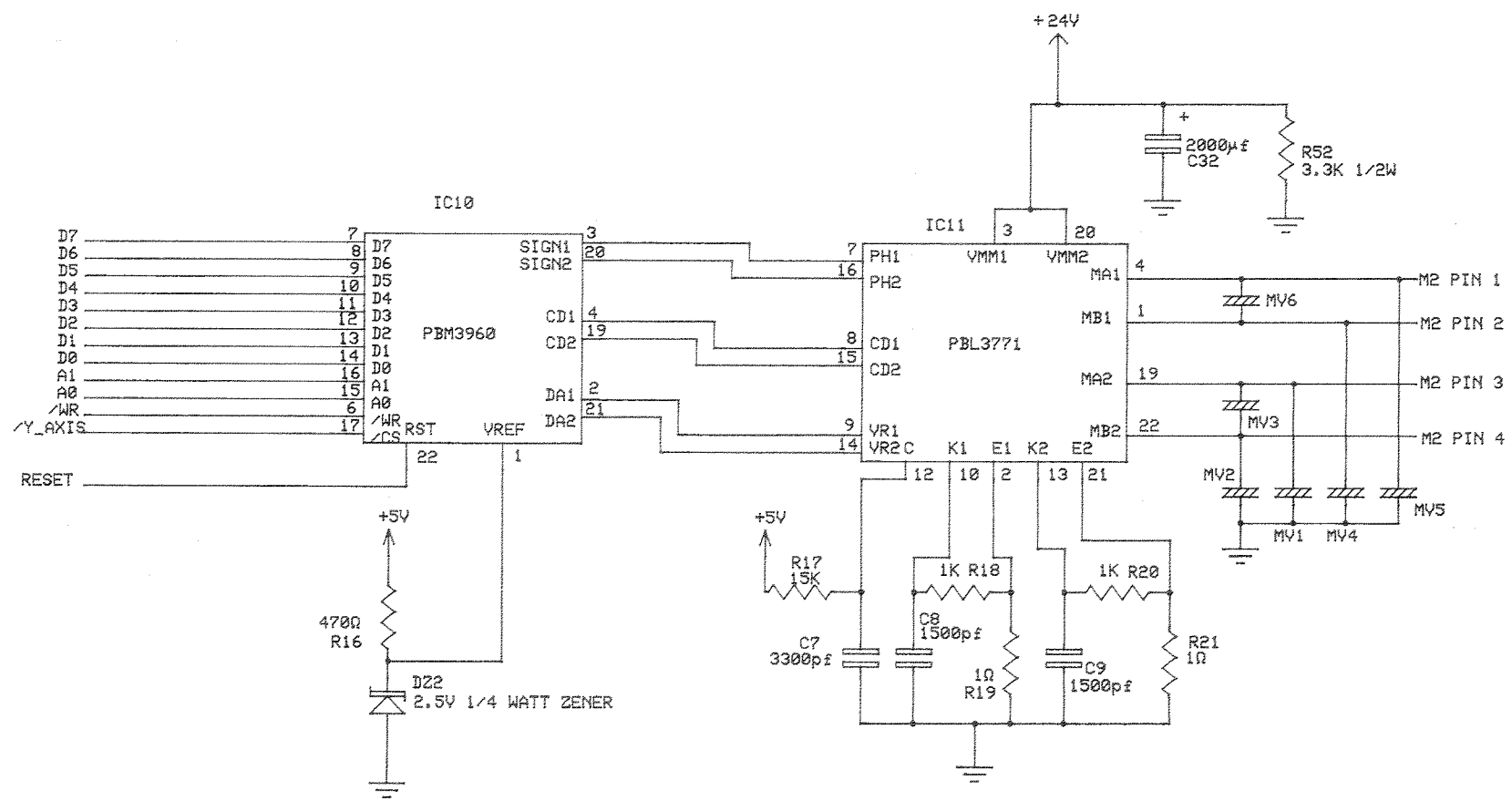




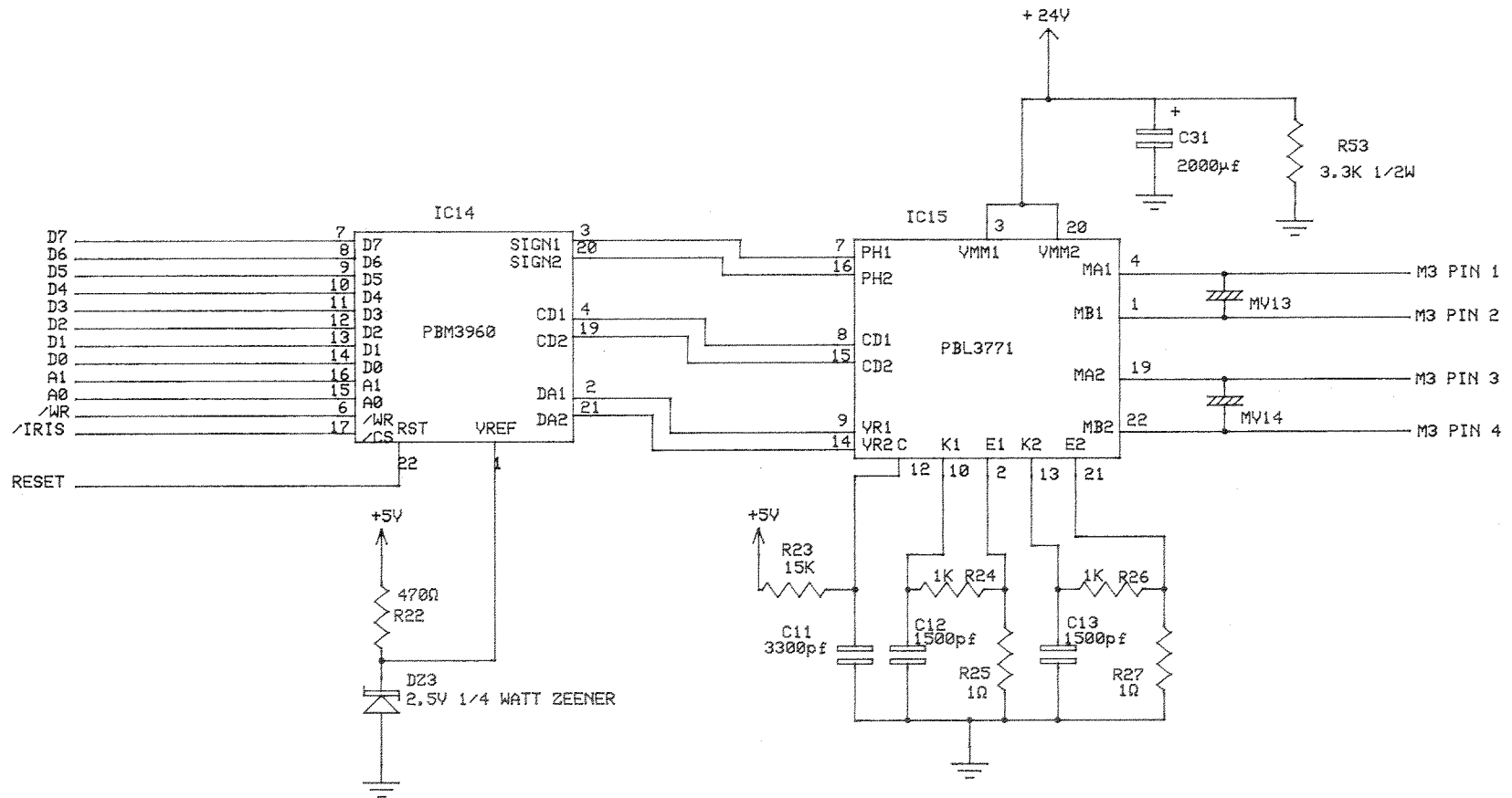
X AXIS MOTOR CONTROL



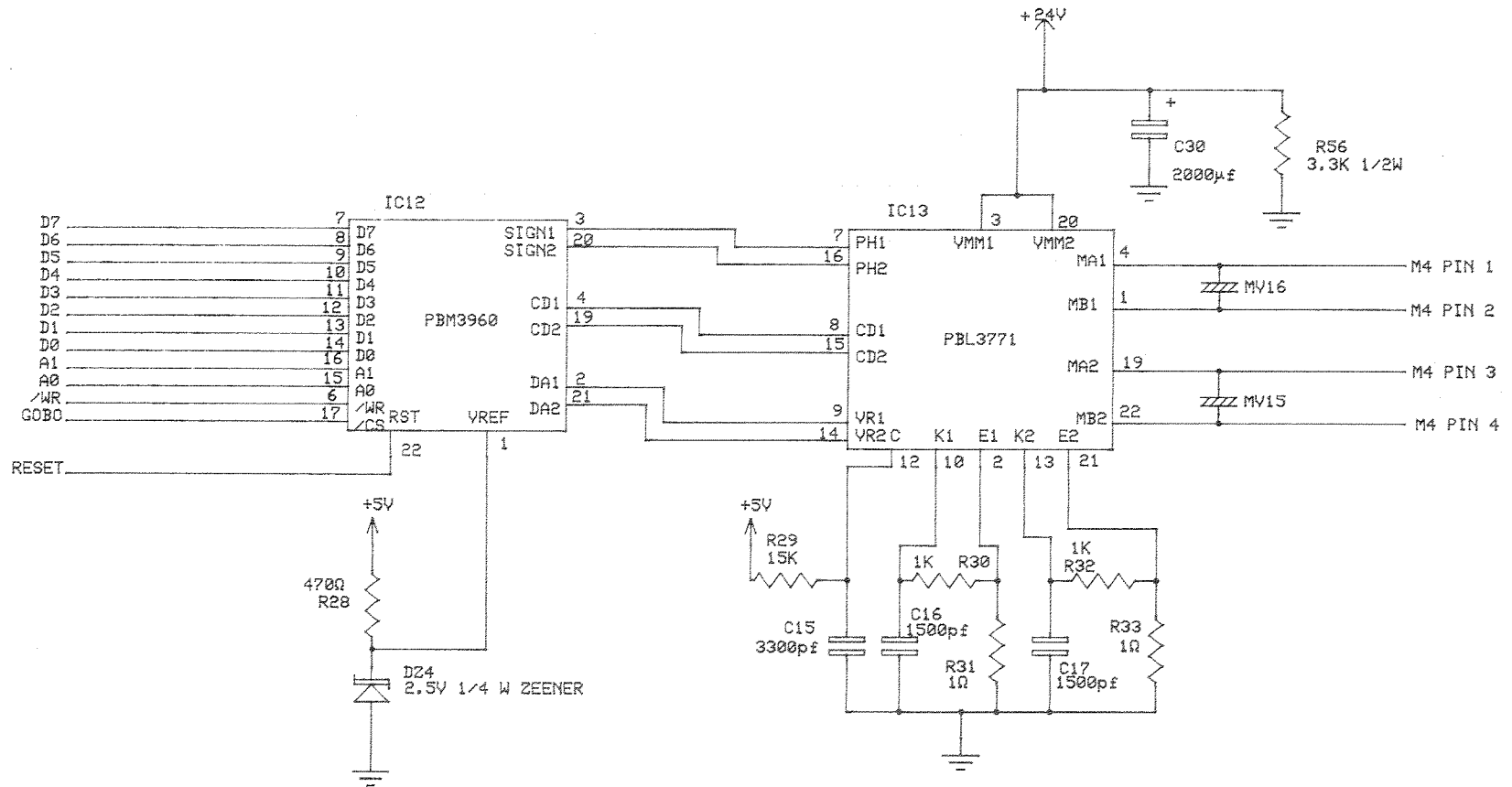
Y AXIS MOTOR CONTROL

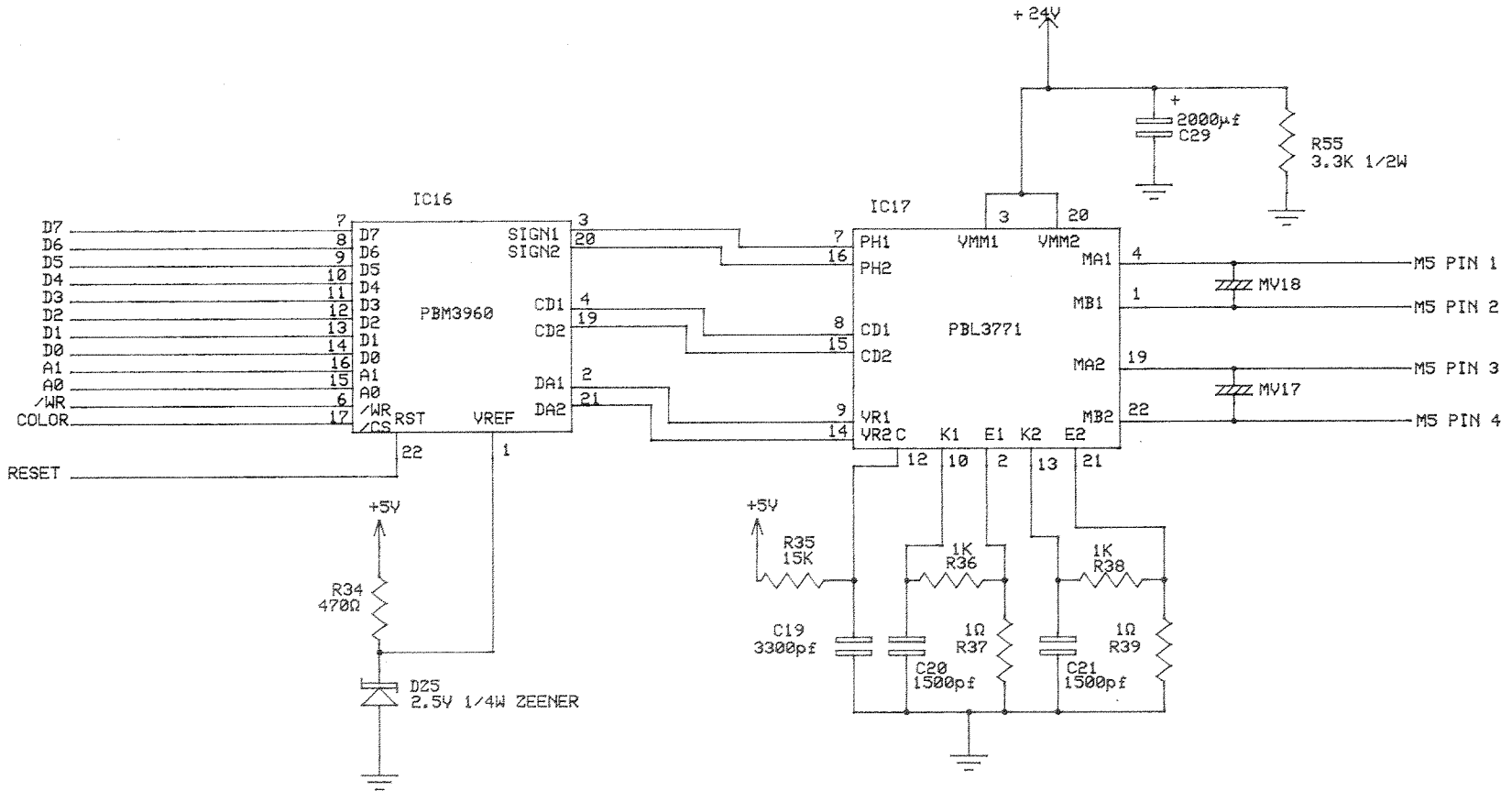


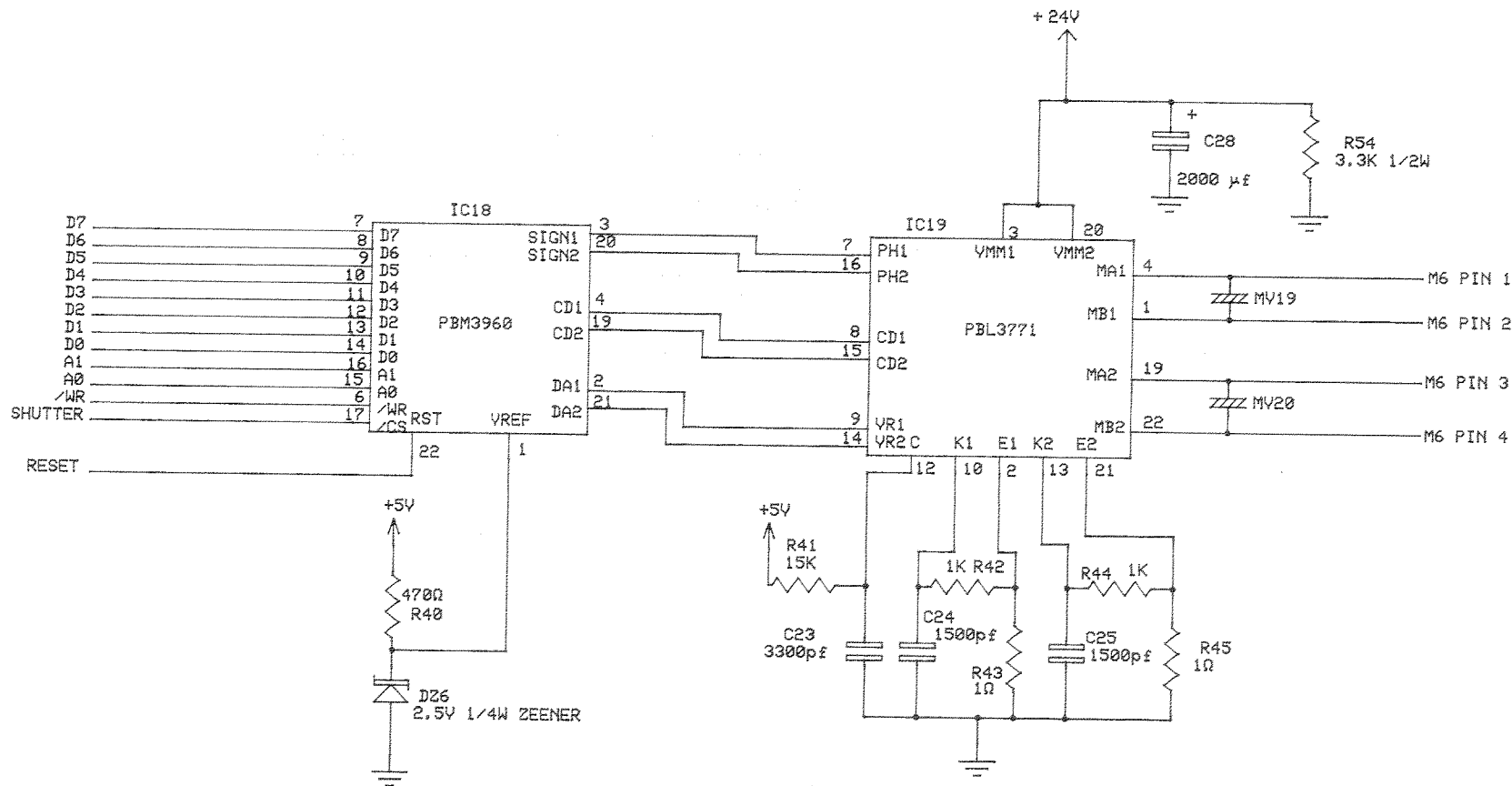
IRIS MOTOR CONTROL



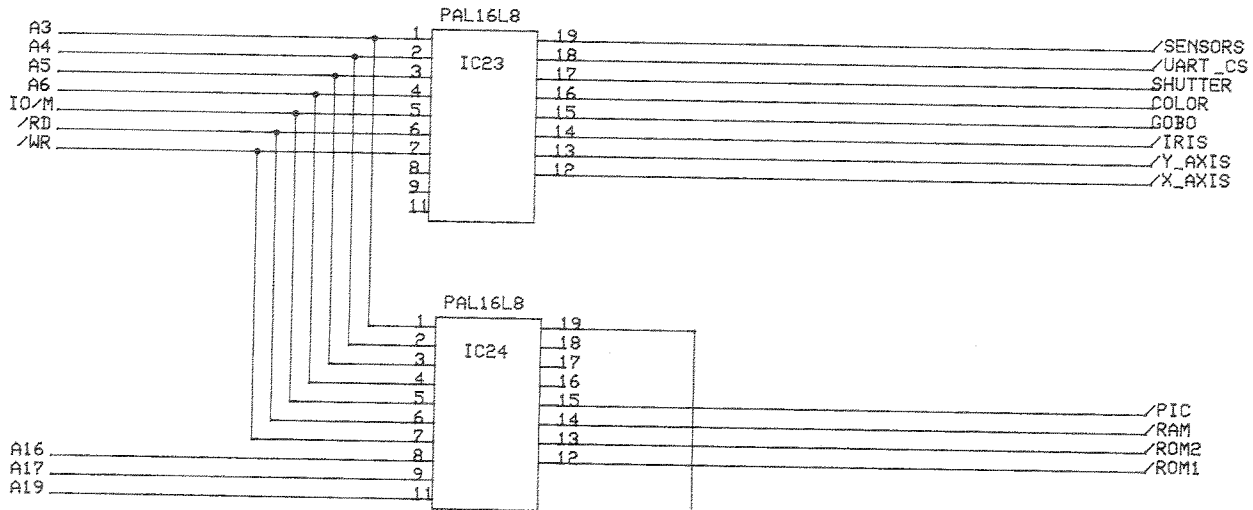






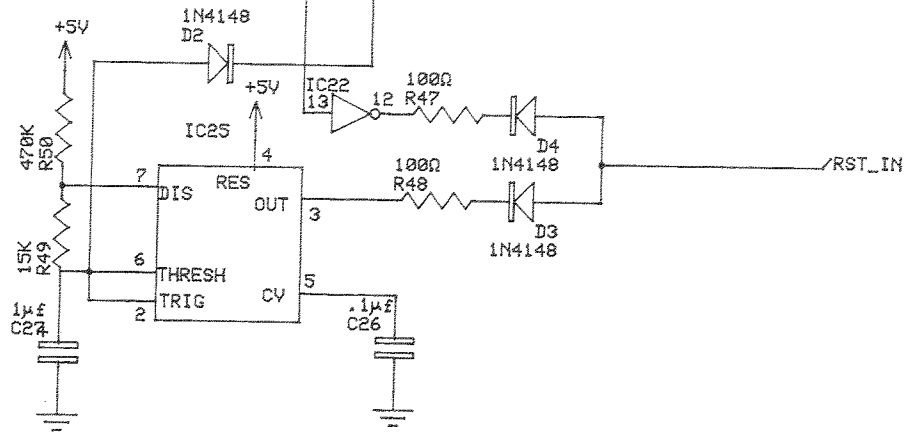




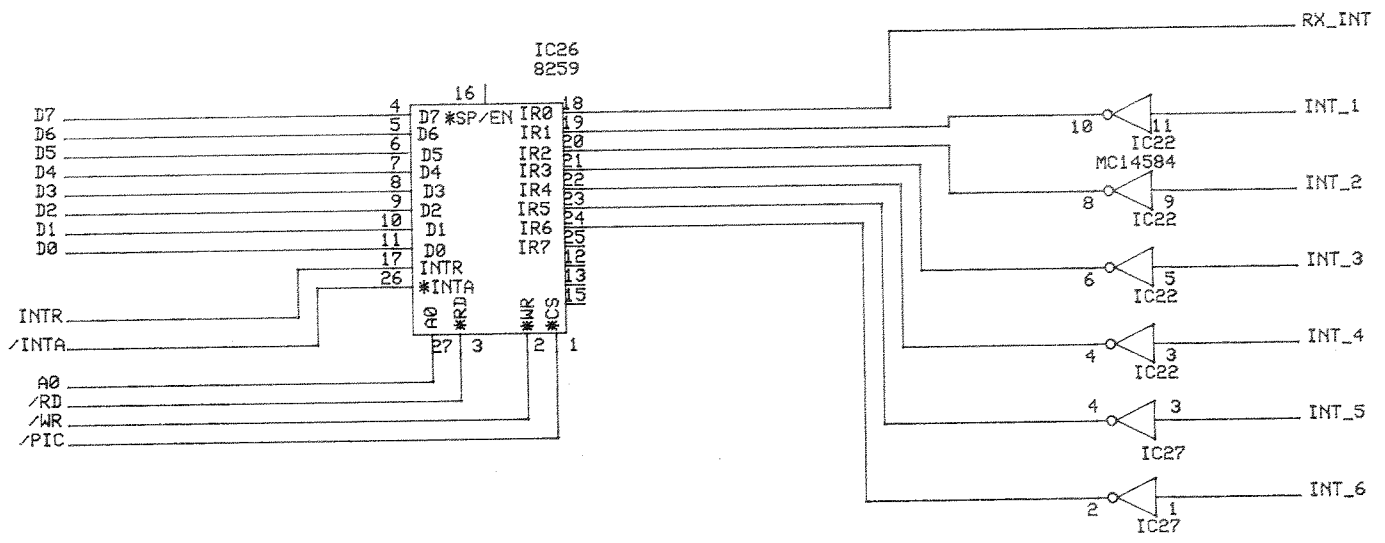


P1-6 RESET\_MO

WATCHDOG



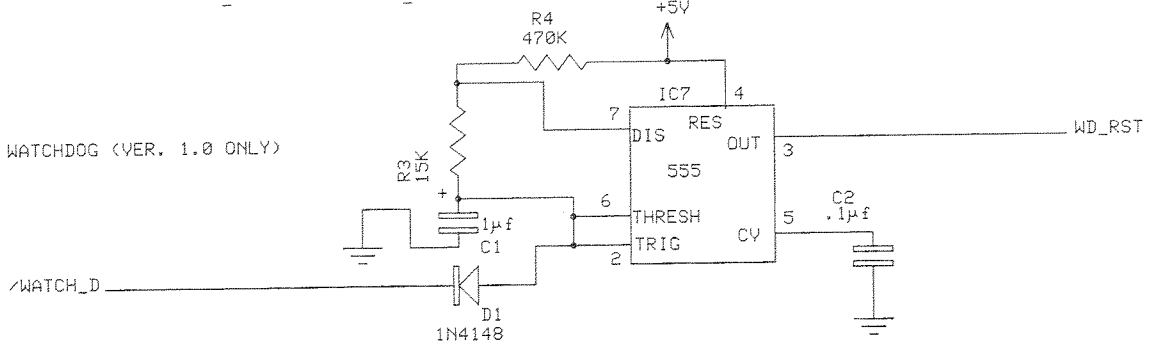
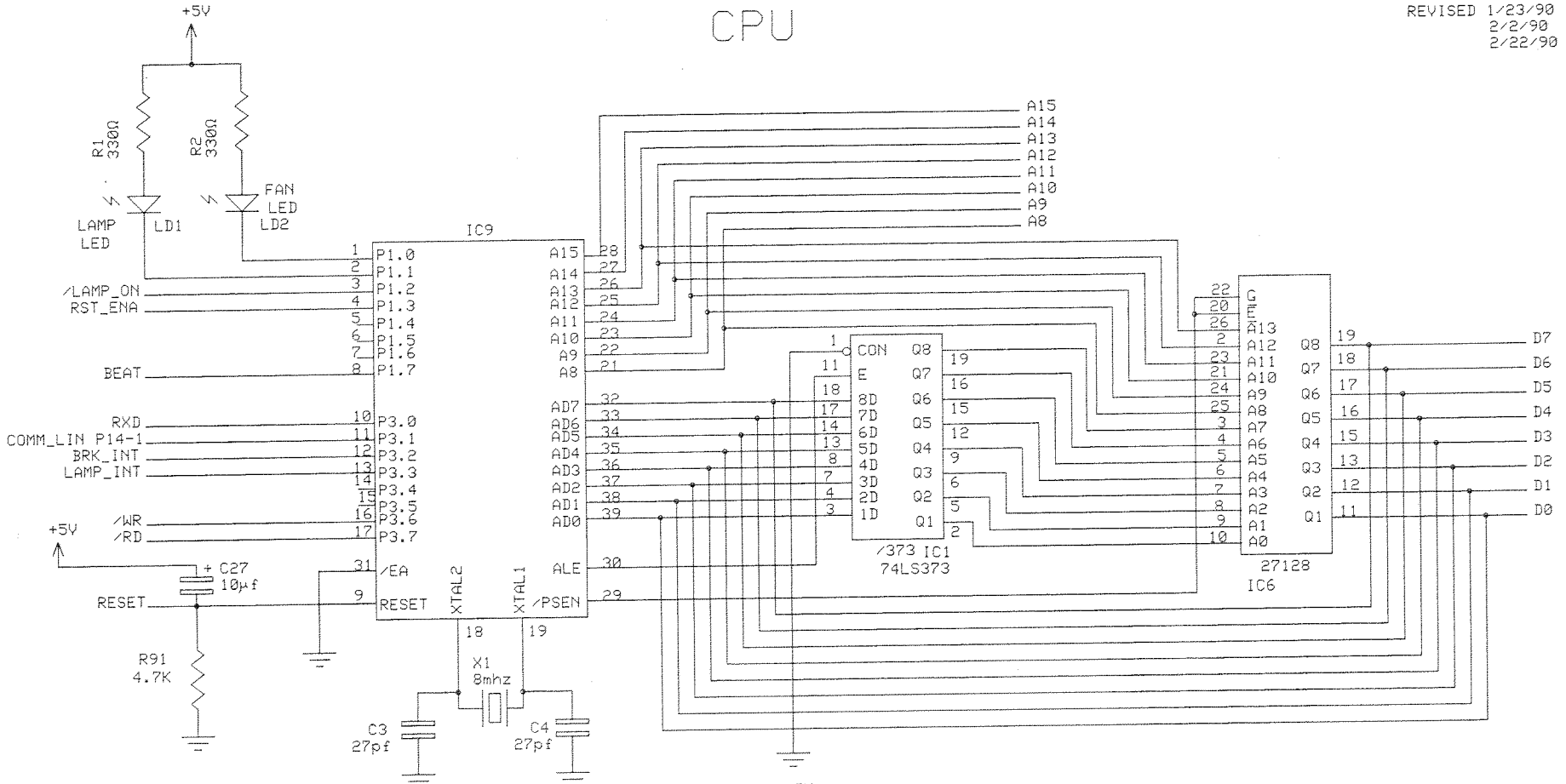
INTERRUPT CONTROLLER



P1	PINOUT
PIN#	SIGNAL
1	COM_LINK
2	+5V
3	GROUND
4	FILTERED 24V
5	GROUND
6	RESET_MOTOR

# CPU

REVISED 1/23/90  
2/2/90  
2/22/90

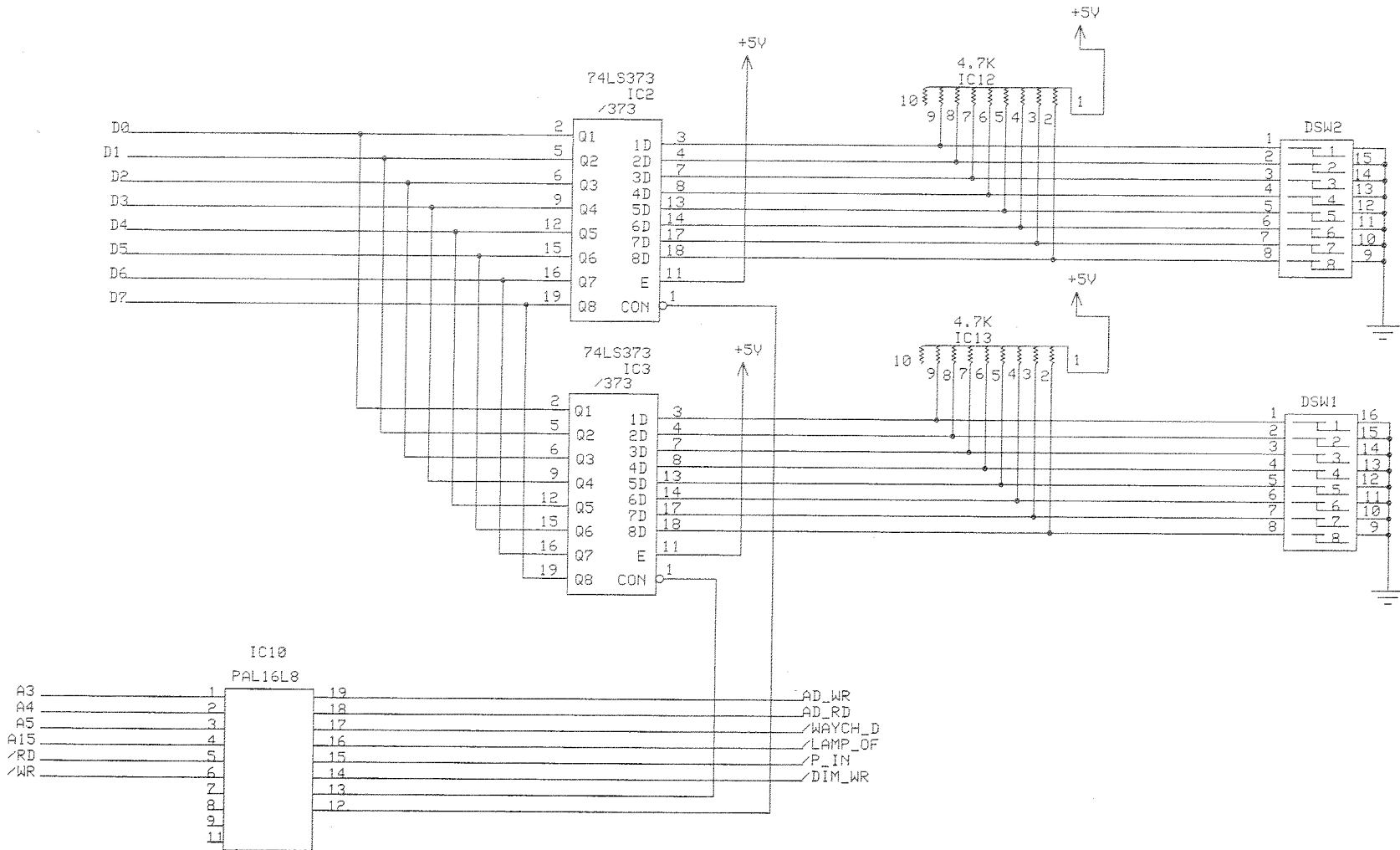


IB3 V1.0  
9/9/89  
PAGE 1 OF 9



# PERSONALITY AND ADDRESS

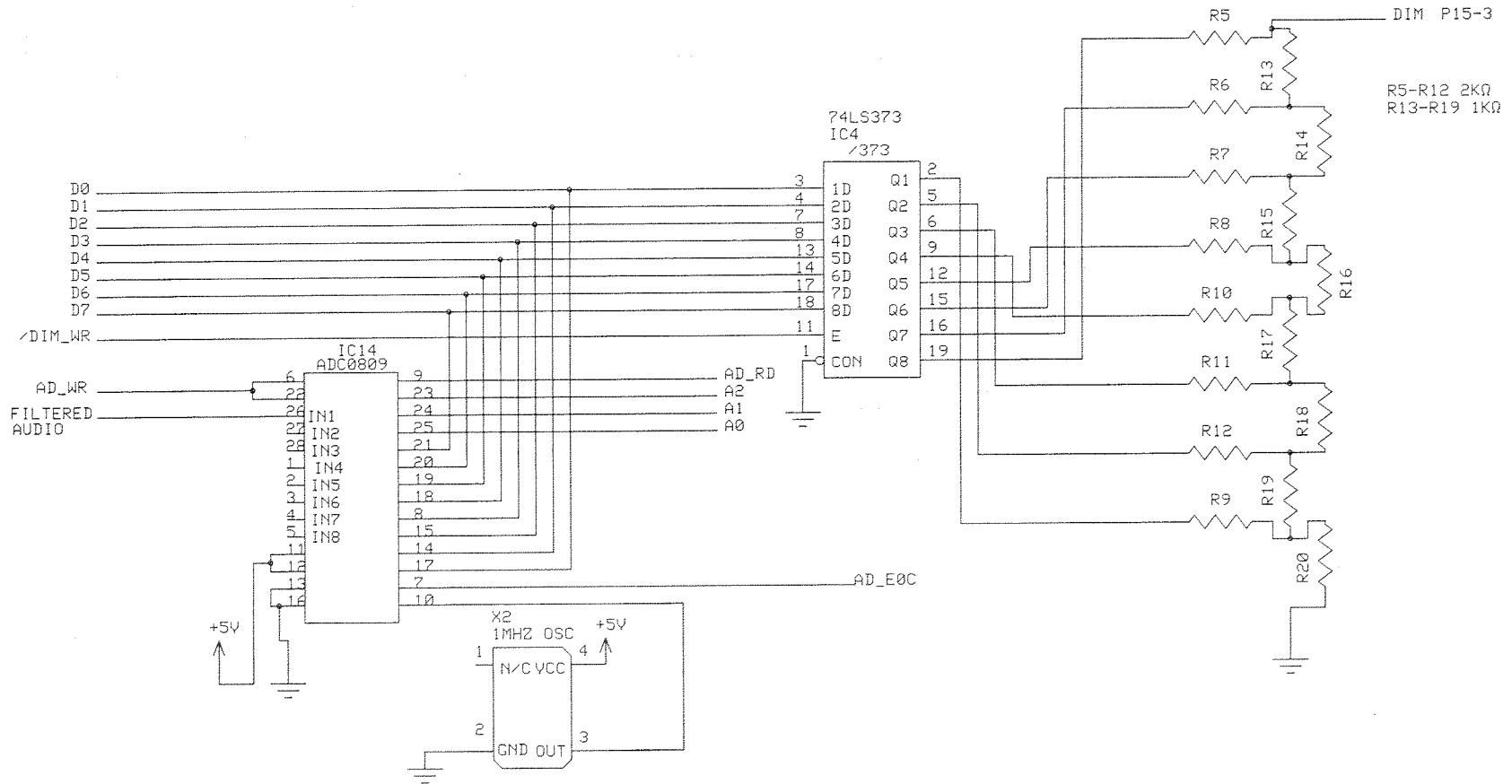
REV. 11/4  
REV 2/2/90  
CK 2/22/90



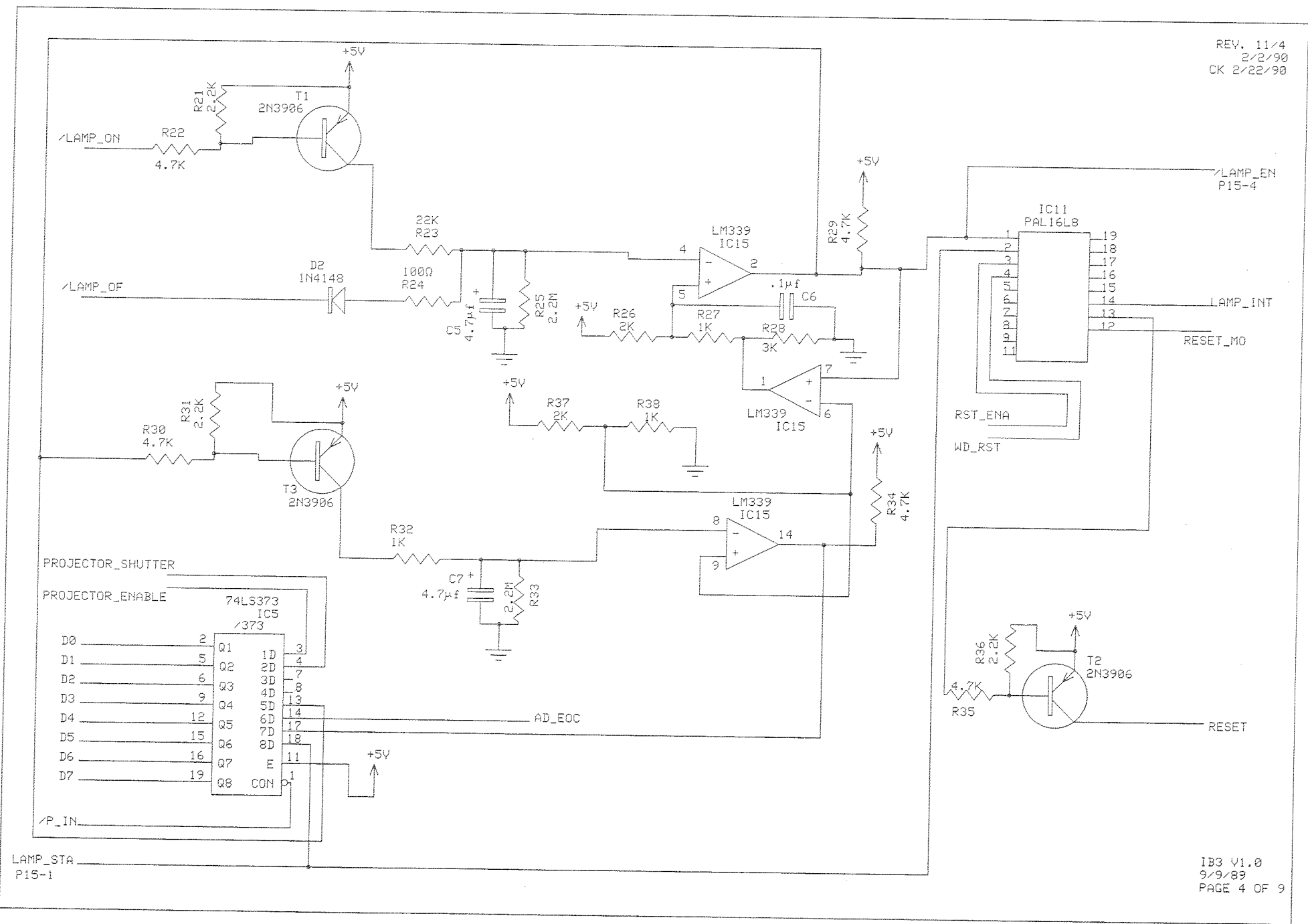
IB3 V1.0  
9/9/89  
PAGE 2 OF 9

# D TO A CONVERSION

REV. 11/4  
2/2/90  
2/22/90

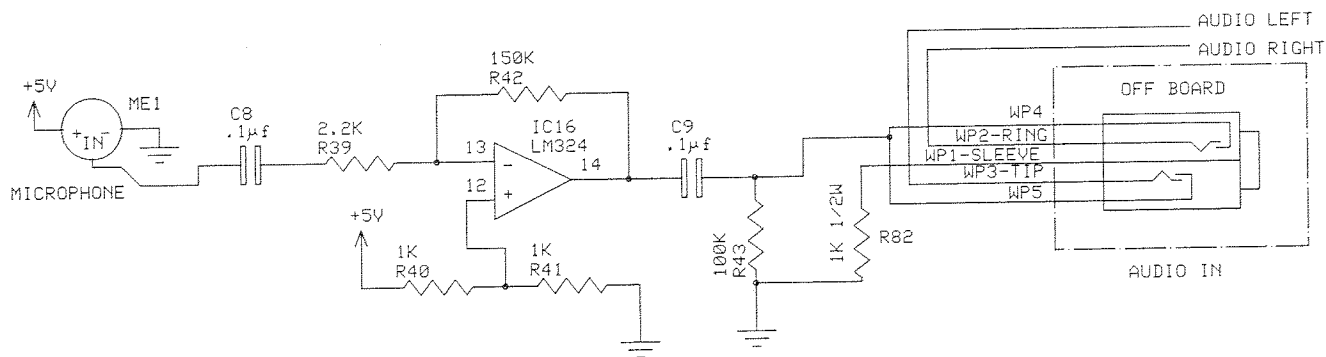


IB3 V1.0  
9/9/89  
PAGE 3 OF 9



# AUDIO IN (PROJECTOR VERSION)

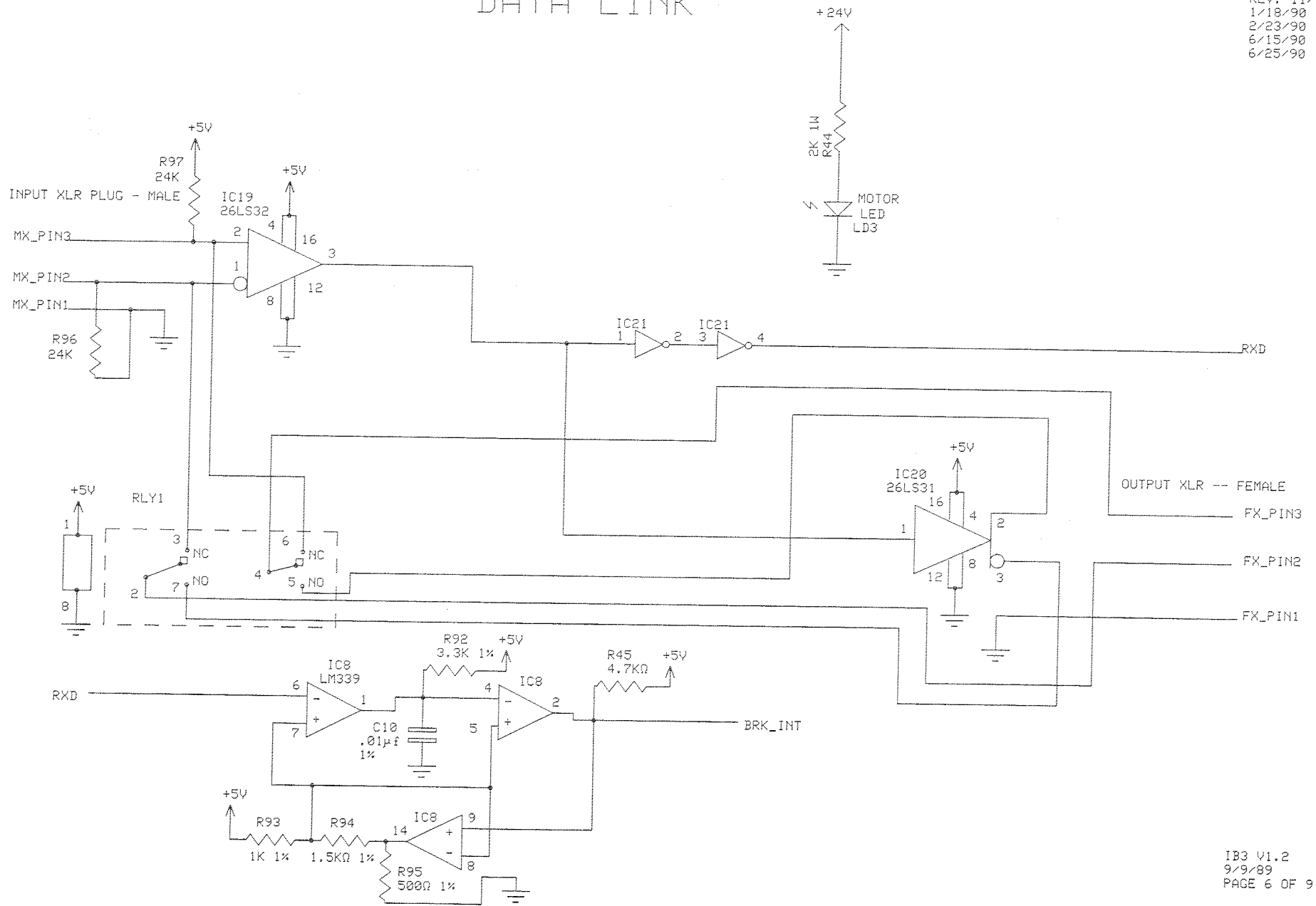
REV. 11/4  
CK 2/22/90



IB3 V1.0  
9/9/89  
PAGE 5 OF 9

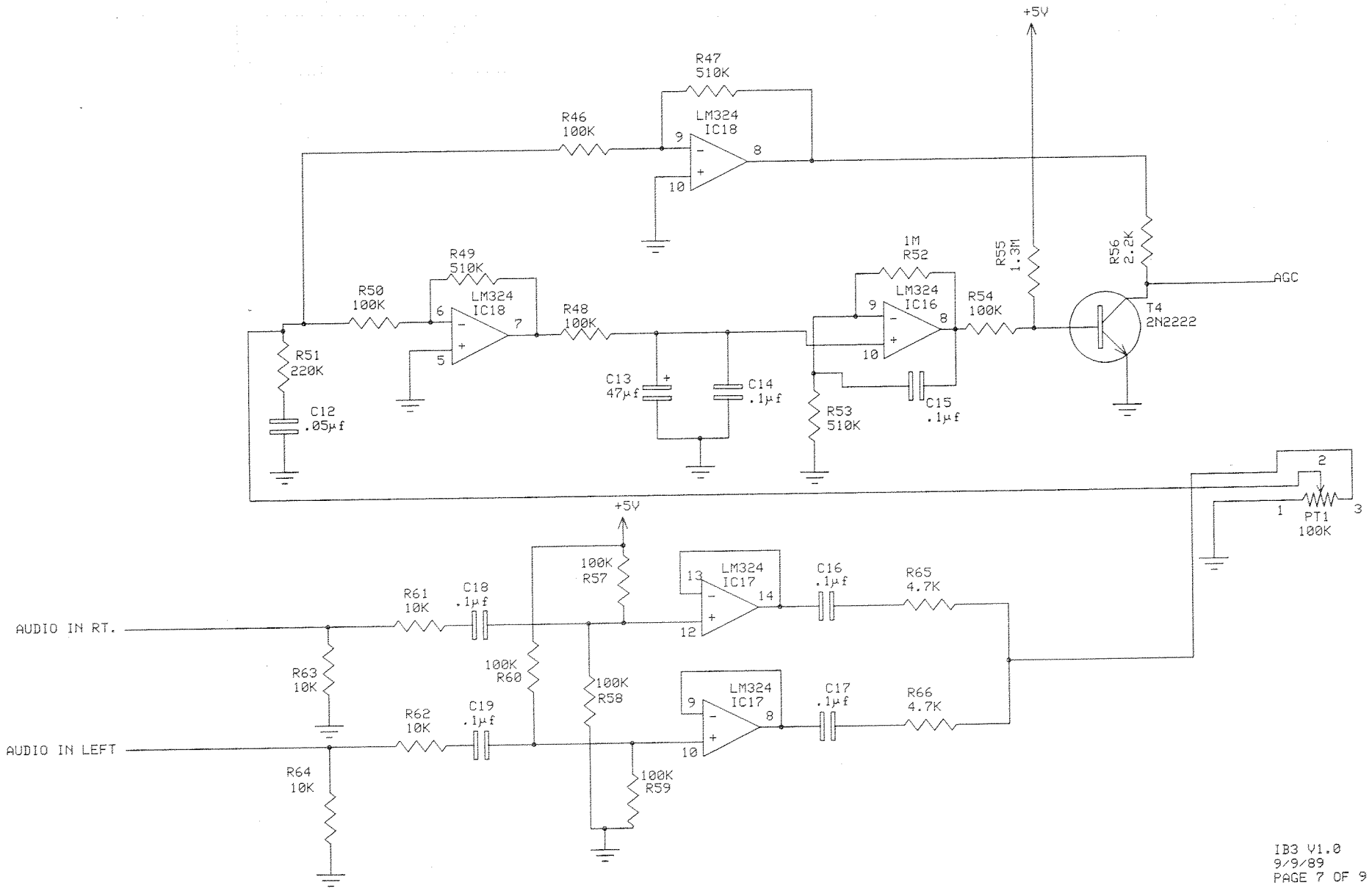
# DATA LINK

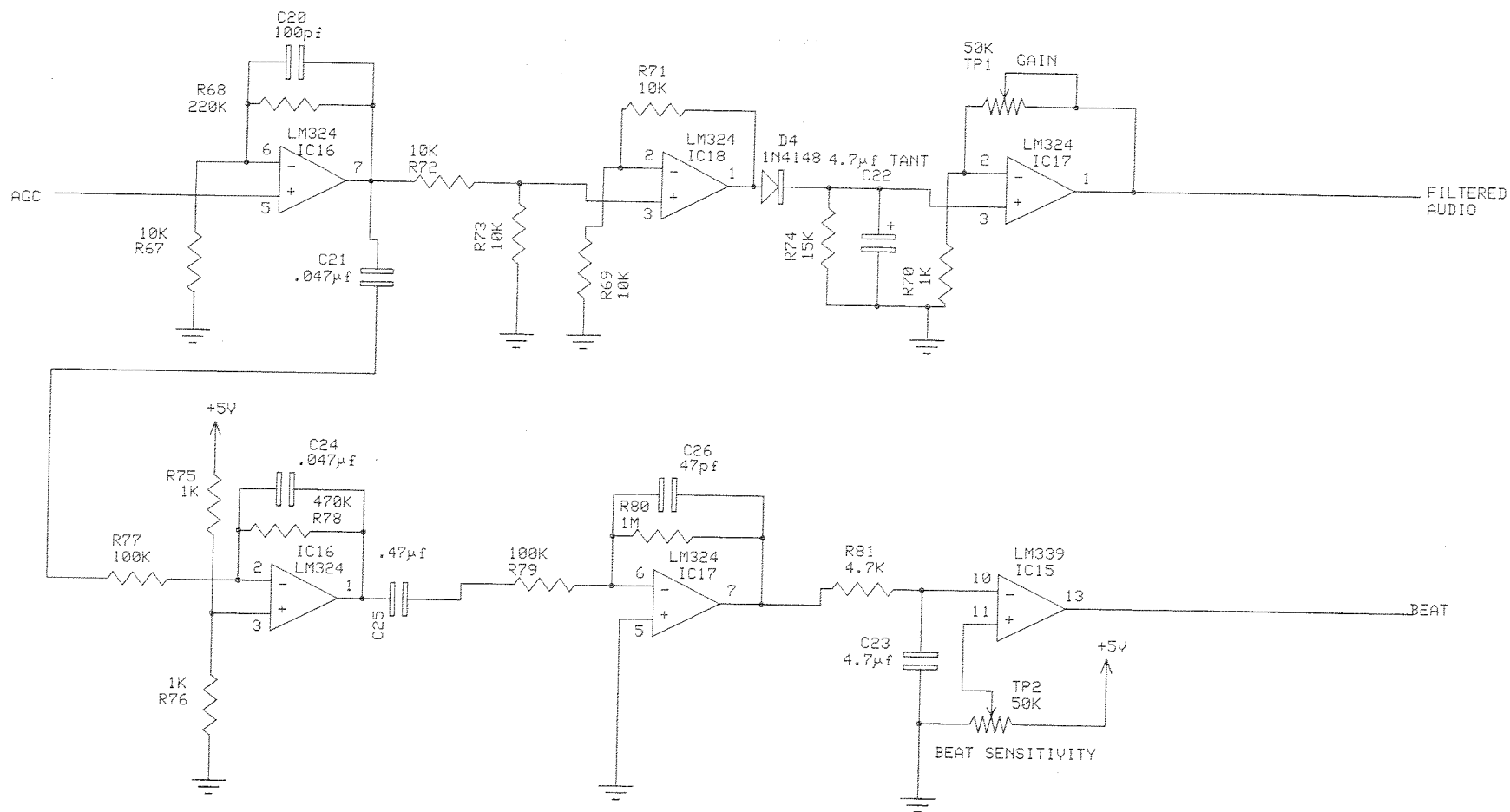
REV. 11/4  
 1/18/90  
 2/23/90  
 6/15/90  
 6/25/90



# AGC

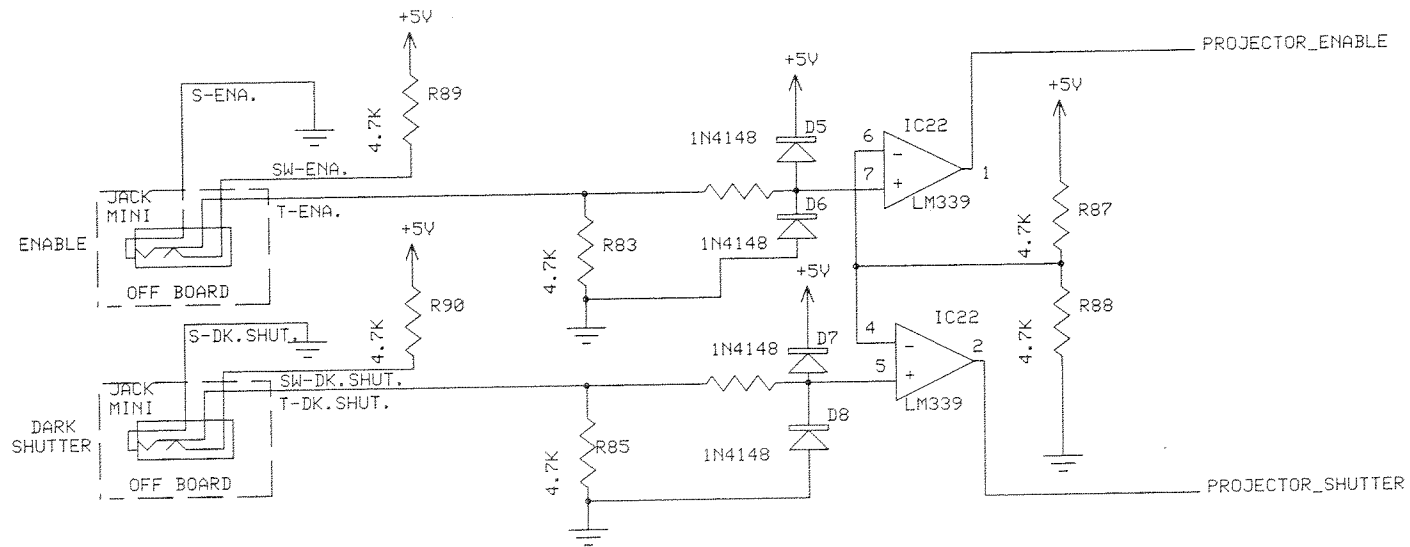
REV. 11/4  
2/23/90





# ENABLE IN, DARK SHUTTER IN CONNECTOR PINOUT

REV. 11/4  
1/18/90  
CK 2/23/90



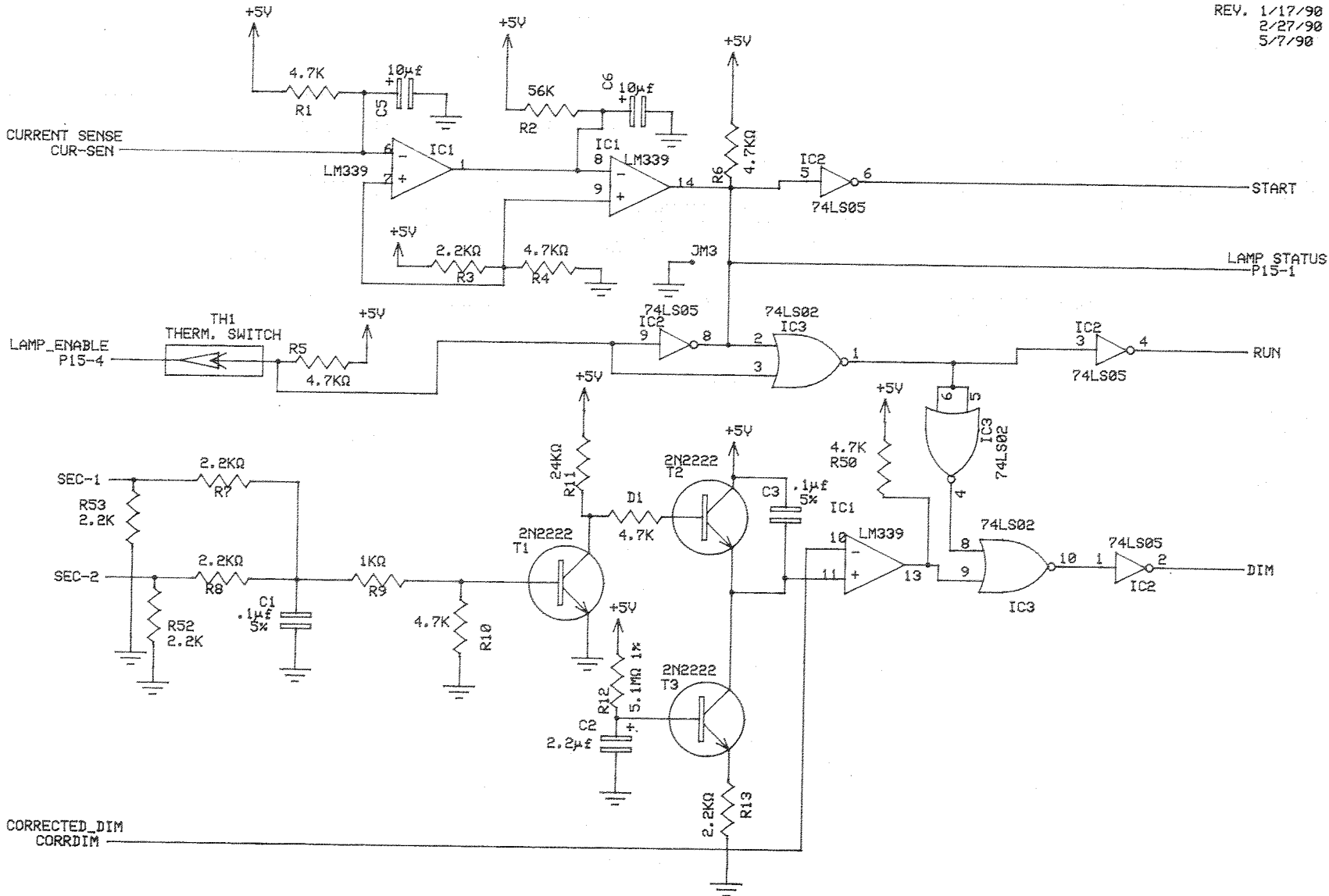
## INTERCONNECT PINOUT

P14	P15
1 COMMLINK	1 N/U
2 +5V	2 FAN
3 GND	3 GND
4 +25V	4 +5V
5 GND	5 GND
6 RESET_MO	6 +24V
	7 STRIKE
	8 DIM
	9 GND
	10 LAM_STAT

IB3 V1.0  
9/9/89  
PAGE 9 OF 9



REV. 1/17/90  
2/27/90  
5/7/90



FIXTURE POWER SUPPLY - IB1  
PAGE 1 OF 4  
VER 1.1  
8/25/89

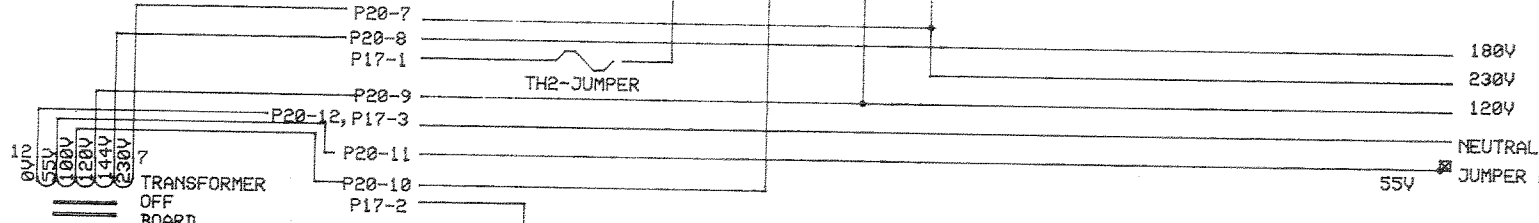


REV. 1/17/90  
2/27/90  
5/7/90

VOLTAGE SELECT  
SEE MANUAL FOR SETTINGS

P16-1 P16-2 P16-3 P16-4

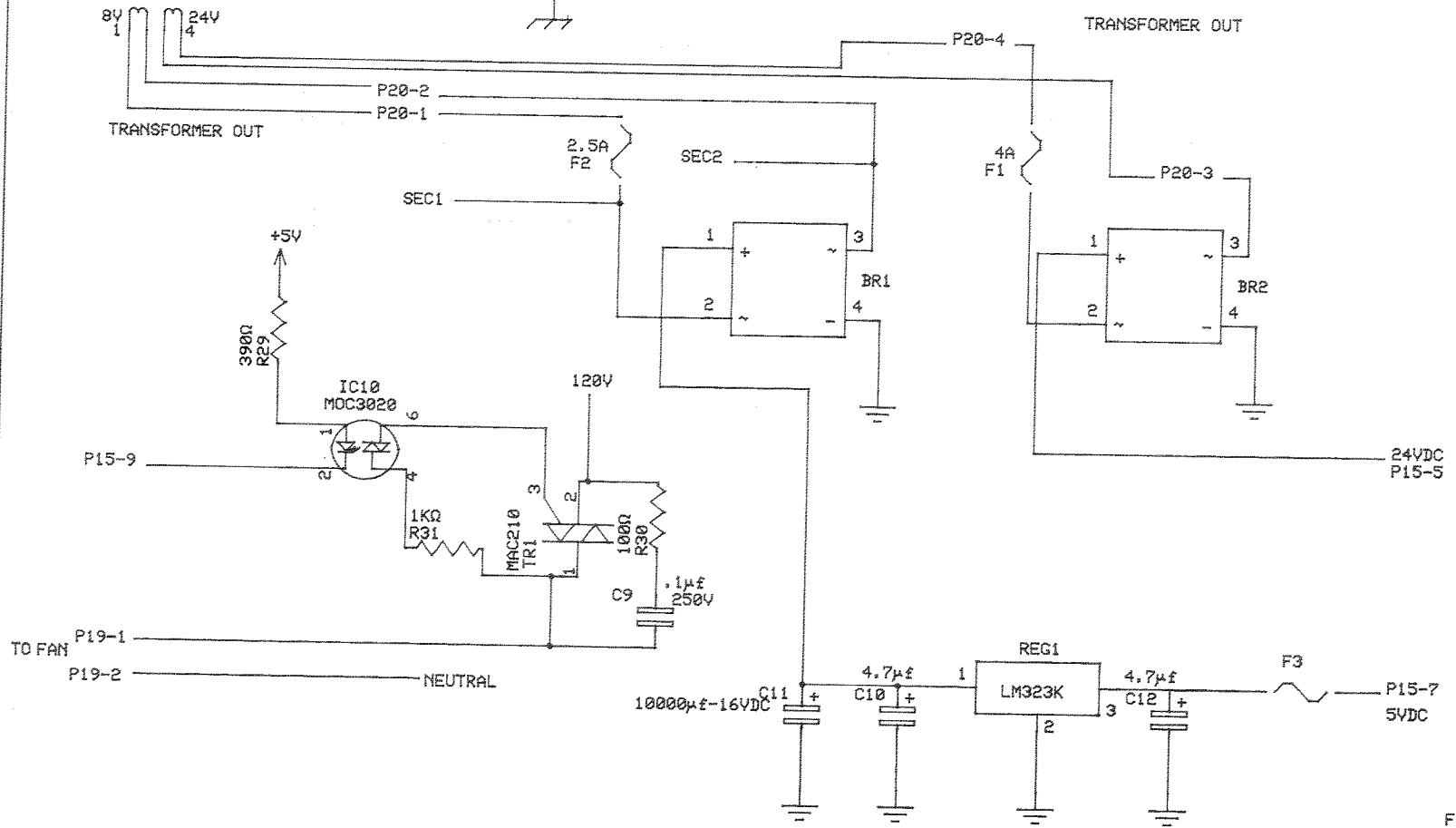
TRANSFORMER IN



VOLTAGE TO CIRCUIT

NEUTRAL  
55V

TRANSFORMER OUT



FIXTURE POWER SUPPLY - IB1  
PAGE 3 OF 4  
VER 1.1  
8/25/89

